

# Kelverion

## IP for Office 365

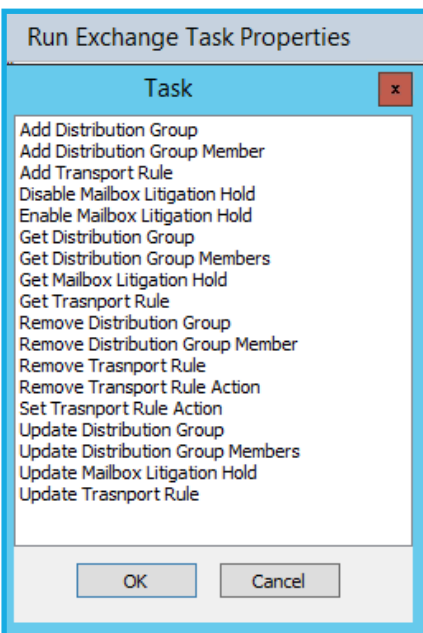
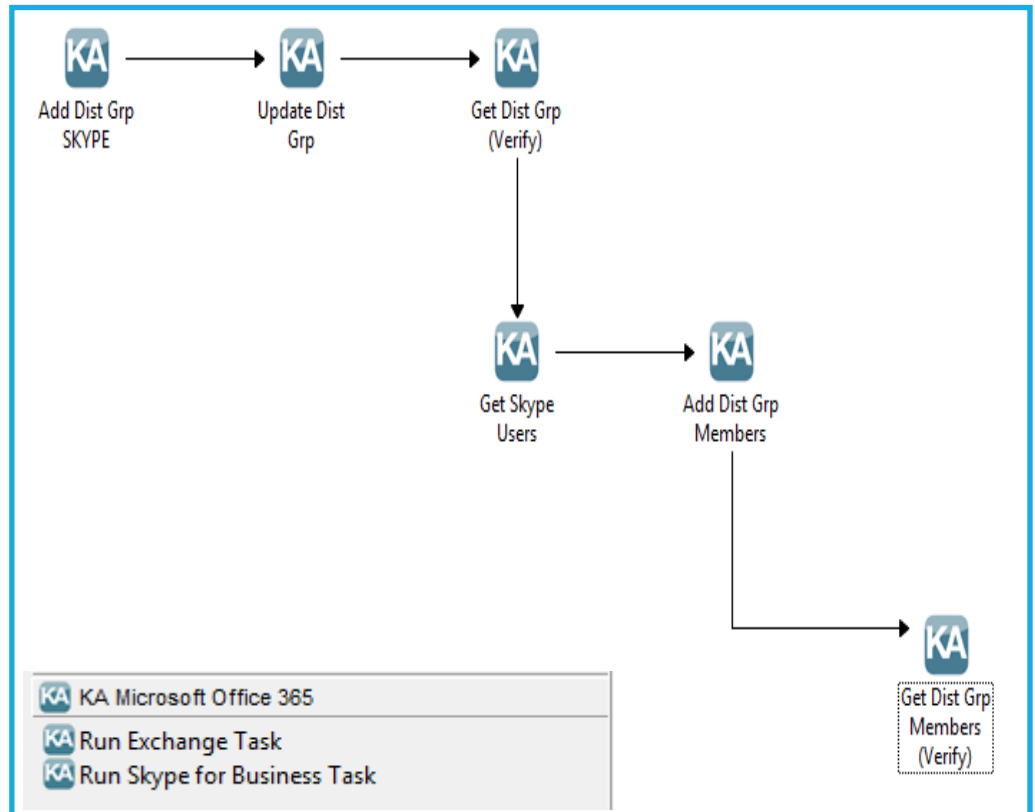
### Automation for cloud only Office 365

For customers running a hybrid on premise Exchange and Office 365 solution then User account administration is done in the on premise Exchange system and synchronized with Office 365.

Customers who wish to run an Office 365 only solution must now do their Administration via the Office 365 web portal or PowerShell.

The Kelverion Integration Pack for Microsoft Office 365 is a compliant integration for the Microsoft System Center 2012 Orchestrator IT Process Automation Solution.

The Integration Pack provides a set of activities for Office 365 Exchange and a set for Skype for Business



The Integration Pack enables pre-defined integration and automation capabilities associated with administrating Office 365 Exchange Email and Skype for business via Orchestrator.

The Integration Pack delivers a range of re-usable activities to automate IT functions such as:

**Automated Provisioning** automate the creation of New Email boxes or Skype for Business Accounts directly from Service Requests.

**Management of Office 365** automate management of Exchange or Skype for Business Users to support business demands and remove manual effort.



# Kelverion

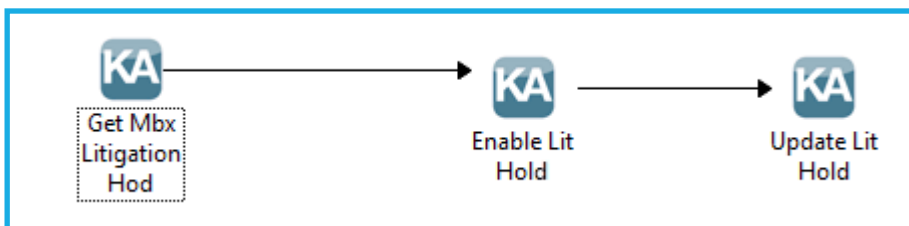
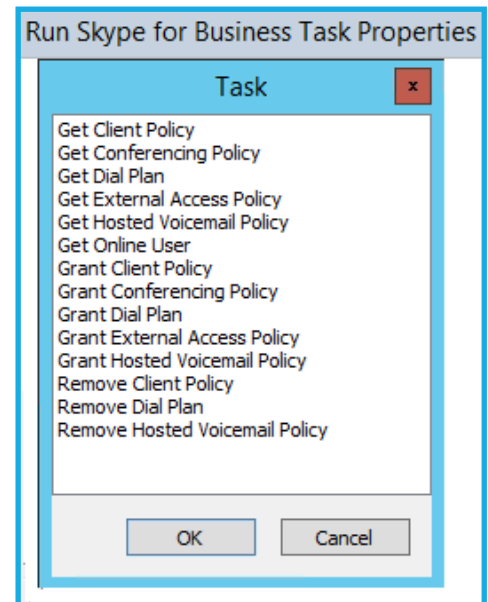
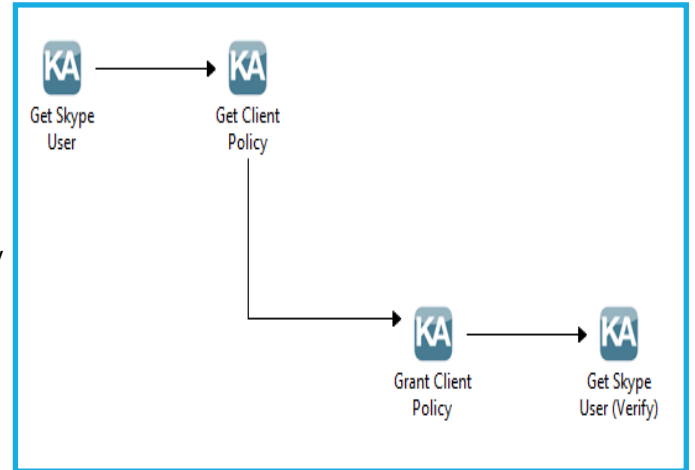
## IP FOR OFFICE 365 ACTIVITIES

### Exchange Activities

- Add Distribution Group
- Add Distribution Group Member
- Add Transport Rule
- Disable Mailbox Litigation Hold
- Enable Mailbox Litigation Hold
- Get Distribution Group
- Get Distribution Group Members
- Get Mailbox Litigation Hold
- Get Transport Rule
- Remove Distribution Group
- Remove Distribution Group Member
- Remove Transport Rule
- Remove Transport Rule Action
- Set Transport Rule Action
- Update Distribution Group
- Update Distribution Group Members

### Skype Activities

- Get Client Policy
- Get Conferencing Policy
- Get Dial Plan
- Get External Access Policy
- Get Hosted Voicemail Policy
- Get Online User
- Grant Client Policy
- Grant Conferencing Policy
- Grant Dial Plan
- Grant External Access Policy
- Grant Hosted Voicemail Policy
- Remove Client Policy
- Remove Dial Plan
- Remove Hosted Voicemail Policy



Kelverion are a Microsoft System Center and Cloud Partner who offer Integration Packs and Tools to enhance System Center Orchestrator and Azure Automation and deliver System Center implementation services.

Find out more at <http://www.kelverion.com>



Cloud & Hybrid Automation Experts